

“service,
strength and
quality”

THISTLE GROUP



24” Power Block Head, used for the handling of fishing nets.
Hydraulically powered 1,000kg capacity, open profile for easy capture and release of nets.

24” Power Block Head



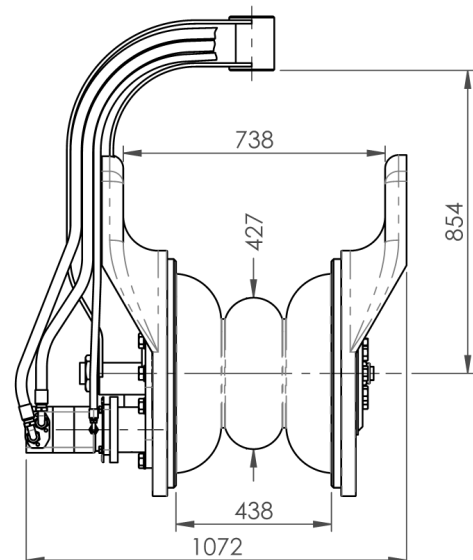
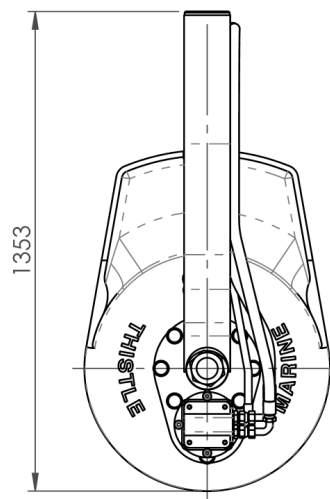
Technical Data 24”	
Safe Working Load:	1,000 kg
Maximum Speed:	84 rpm
Wheel Diameter:	427 mm
Working Pressure:	210 bar
Oil Flow:	125 LPM
Weight:	400 kg

Key Points:

- 1/2” Supply & Return Hoses
- 3/8” Drain Line
- Spare Parts Always In Stock
- Available In Different Sizes

Available Accessories:

- Ribbed Barrel
- Marine Crane
- HPU / Rotator



THISTLE GROUP HQ
5 Baltic Place, Peterhead,
Aberdeenshire, Scotland,
AB42 1TF
Tel: +44 (0)1779 477 210
sales@thistlemarine.co.uk
www.thistlegroup.co.uk