

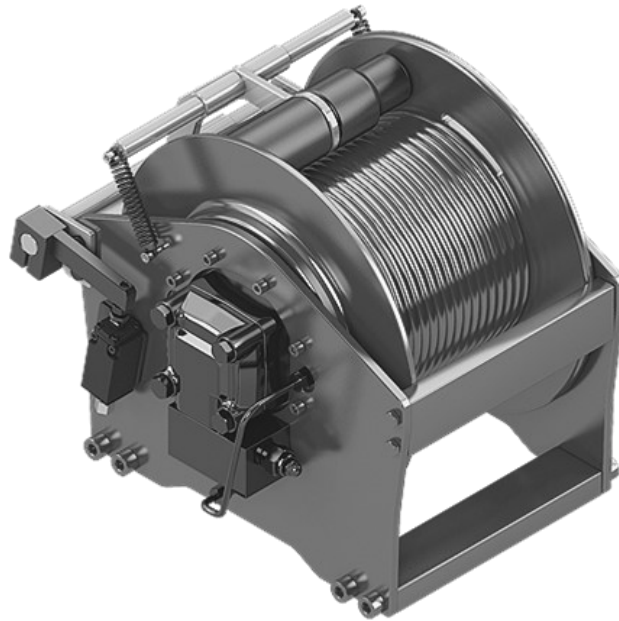
“service,  
strength and  
quality”

# THISTLE GROUP



Multi-purpose winch with small footprint.  
Line pull up to 1,500 kg and 57 meter rope capacity.  
Winch suitable for a variety of purposes, conforms to ISO 4301/1.

1,500 kg  
Hoisting &  
Recovery  
Multi-Purpose  
Winch



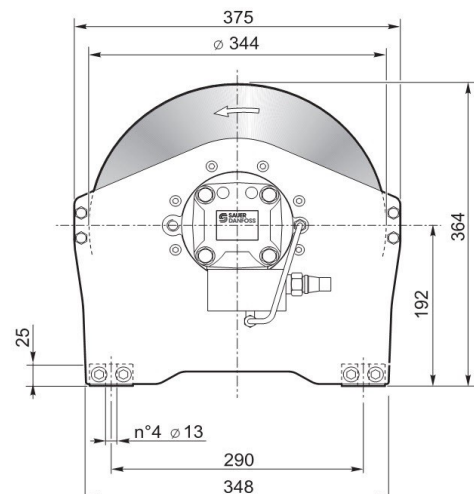
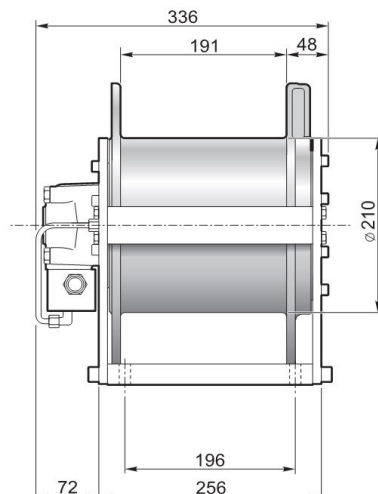
#### Key Points:

- Small footprint
- Suitable for subsea use
- Gearbox mounted inside drum
- Multi-disk brake
- Marine paint system
- Foot mounted
- Sauer Danfoss Motor

#### Available Accessories:

- Grooved drum
- Drum RPM counter
- Rope winding control
- Cable gland

Technical Data	
Line Pull Capacity (4th Layer):	1,500 kg
Drum Capacity:	57 m
Advised Rope Diameter	10 mm
Rope Speed (Top Layer):	40 m/s
Static Holding Torque:	740 Nm
Operating Pressure:	205 Bar
Maximum Oil Flow Rate:	45 LPM
Weight (empty):	77 kg



THISTLE GROUP HQ  
5 Baltic Place, Peterhead,  
Aberdeenshire, Scotland,  
AB42 1TF  
Tel: +44 (0)1779 477 210  
sales@thistlemarine.co.uk  
www.thistlegroup.co.uk