

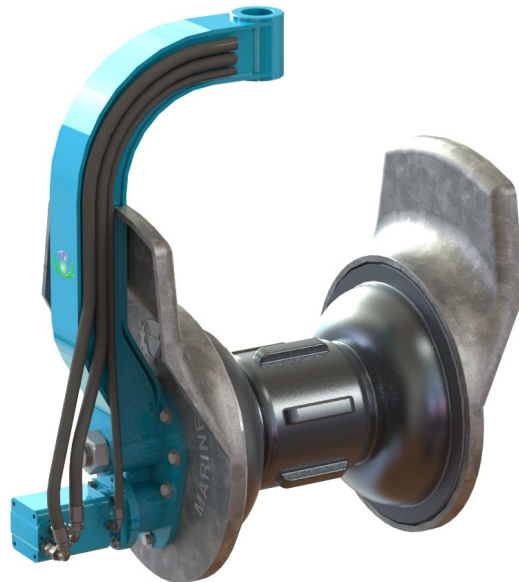
“service,
strength and
quality”

THISTLE GROUP



The 24” Power Block Head with ribbed barrel has a wider opening with rib profiles to allow additional grip onto net hoppers. Hydraulically powered 1,000kg capacity, open profile for easy capture

24”
Power Block
Head
Ribbed Barrel



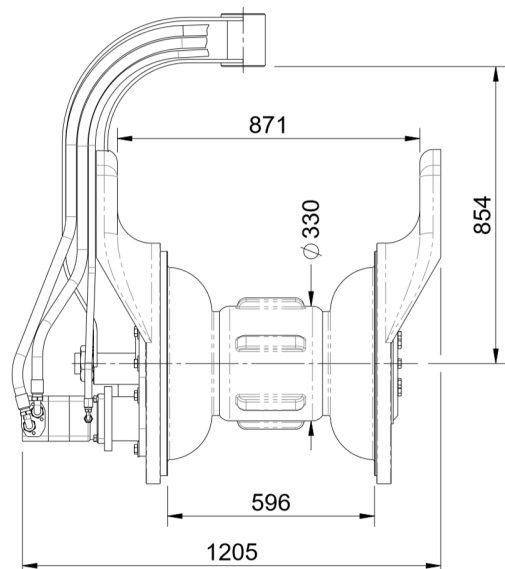
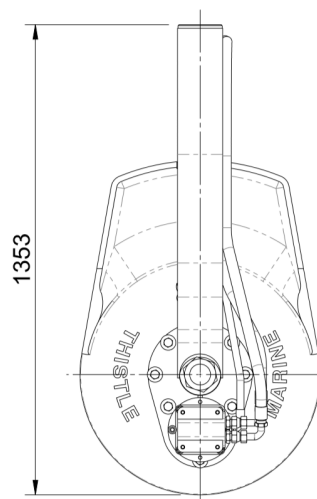
Technical Data 24”	
Safe Working Load:	1,000 kg
Maximum Speed:	84 rpm
Wheel Diameter:	330 mm
Working Pressure:	210 bar
Oil Flow:	125 LPM
Weight:	450 kg

Key Points:

- 1/2” Supply & Return Hoses
- 3/8” Drain Line
- Spare Parts Always In Stock
- Available In Different Sizes

Available Accessories:

- Plain Barrel
- Marine Crane
- HPU / Rotator



THISTLE GROUP HQ
5 Baltic Place, Peterhead,
Aberdeenshire, Scotland,
AB42 1TF
Tel: +44 (0)1779 477 210
sales@thistlemarine.co.uk
www.thistlegroup.co.uk