

“service,  
strength and  
quality”

## 2.5 m<sup>3</sup> Single Net Drum

# THISTLE GROUP



Over the years Thistle Marine have supplied many different sizes and styles of net drums for both new build and existing vessels. The net drums are hydraulically driven and used on-board fishing vessels to store and manage large capacities of net.

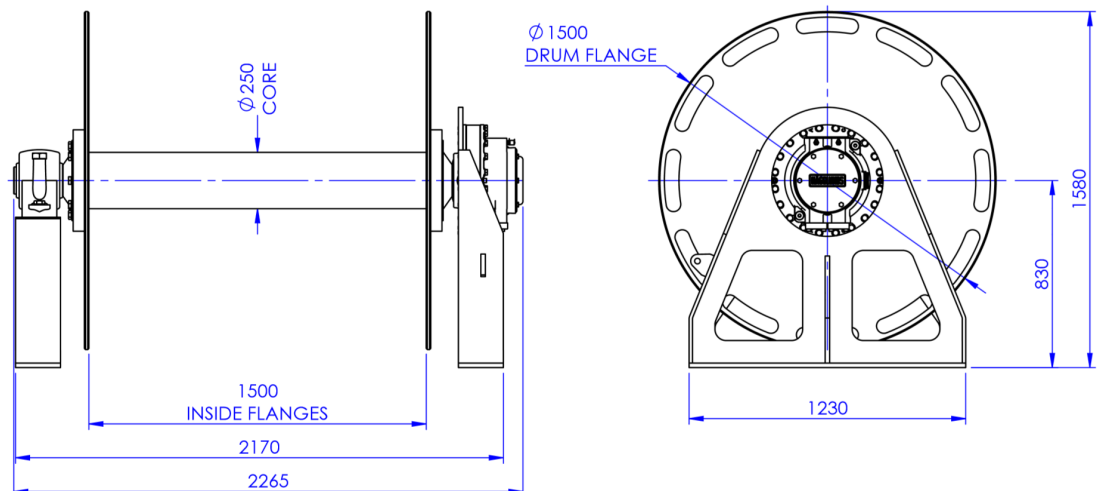
These single net drums can be fitted below or above deck and can be designed to suit existing desk space and performance requirements. The net drum can be assembled in situ below deck where access is difficult.



| Technical Data          |                    |
|-------------------------|--------------------|
| Maximum Pull Capacity:  | 12,200 kg          |
| Drum Capacity:          | 2.5 m <sup>3</sup> |
| Recommended Line Speed: | 30—40 rpm          |
| Maximum Output Torque:  | 17,500 Nm          |
| Operating Pressure:     | 250 Bar            |
| Oil Flow:               | 120 LPM            |
| Weight (empty):         | 1,500 kg           |

### Key Points:

- Hydraulically driven
- Large net storage capacity
- Low maintenance
- Compact design
- Marine paint system



Contact us for different specifications and drum capacities as we can meet your requirement



### THISTLE GROUP HQ

5 Baltic Place, Peterhead,  
Aberdeenshire, Scotland,  
AB42 1TF

Tel: +44 (0)1779 477 210  
sales@thistlemarine.co.uk  
www.thistlegroup.co.uk