

“service,
strength and
quality”

5,000 kg
Capstan

THISTLE GROUP



The 5,000 kg capstan is a vertical rotating drum used for a variety of rope pulling activities mainly on-board boats. It is hydraulically driven and extremely rugged for harsh environment marine use. The capstan drum is aluminium and the pedestal marine grade steel. The capstan pedestal features side attachment points to allow attachment to the boat gunwale or for the optional guide roller frame.

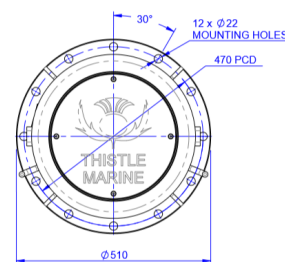
Normally supplied along with Thistle foot pedal controller which removes requirement to fit hydraulic control valve below deck.



Technical Data	
Maximum Line Pull:	5,000 kg
Maximum Rotational Speed:	30 rpm
Maximum Linear Line Speed:	0.45 m/s
Working Pressure:	210 bar
Maximum Oil Flow:	60 LPM
Total Weight:	285 kg

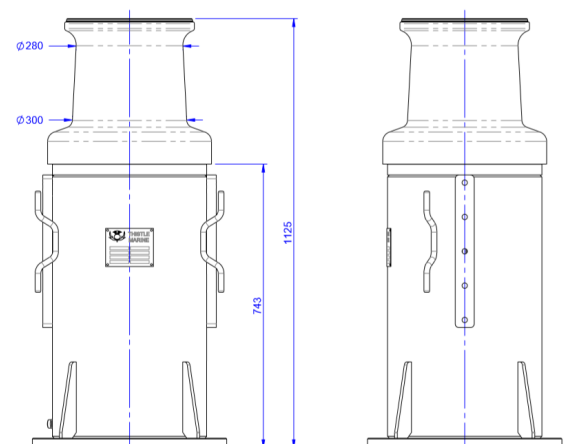
Key Points:

- Small footprint
- High line pulling power
- Rugged construction
- Has integral fixing points for support to boat gunwale.



Available Options (refer page 2):

- Pedestal can be manufactured to your required height.
- Can be supplied with guide roller frame.
- To comply with HSE regulations we recommend that all capstans are supplied along with Thistle foot pedal



THISTLE GROUP HQ

5 Baltic Place, Peterhead,
Aberdeenshire, Scotland,
AB42 1TF

Tel: +44 (0)1779 477 210
sales@thistlemarine.co.uk
www.thistlegroup.co.uk



Capstan shown with optional roller guide frame



Thistle Marine recommend that all capstans are fitted with remote control foot pedals to ensure safe operation of the equipment in line with HSE recommendations.



Dimensional drawings available upon request

5,000 kg Capstan



THISTLE GROUP

“service, strength and quality”

Document Number: TM-DS-035—Rev 1