

“service,
strength and
quality”

Thistlelift
MFB20
Landing Crane,
Continuous
Rotation

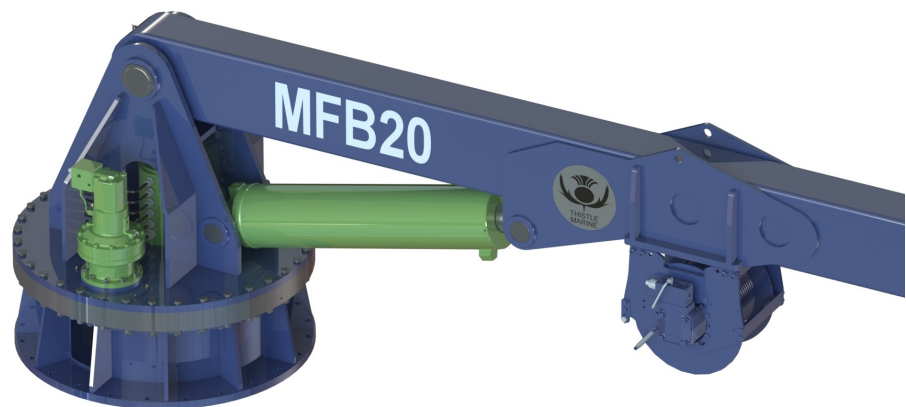
THISTLE GROUP



The MFB20 landing and discharge crane is typically used for loading and unloading fish boxes and equipment between vessel and quayside. Designed for harsh environment use and manufactured from seawater resistant materials throughout, it has a small footprint and its reach can be tailored to suit your requirement. Available with or without continuous rotation function. We have also supplied these cranes for permanent install on the quayside for loading and unloading catches and equipment from boats. Our service offers complete installation on your vessel and training where required. All our cranes are provided with a 1 year warranty.



Technical Data	
Load Rating:	20,000 kg / metre
Style:	Straight main boom, 1 dynamic section, continuous rotational base
Lift:	2,000 kg @ 10 metre reach
Hydraulic Supply:	Typically 210 bar at 45 LPM
Hydraulic Control:	Manual control valves
Slew Range:	Continuous rotation
Overall Weight:	2,750 kg



Available Accessories:

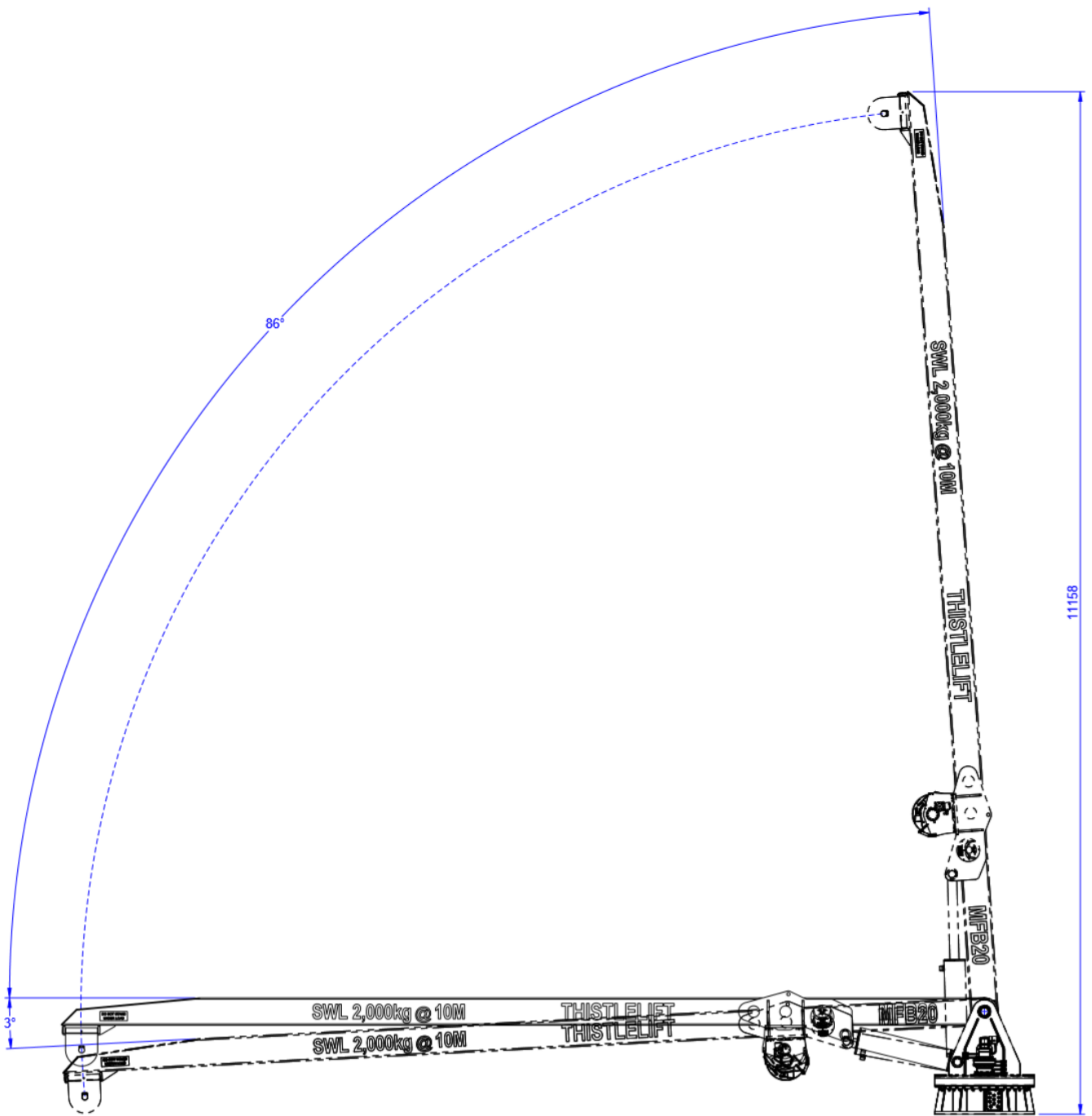
- Remote control
- HPU
- Custom colours

Key Points:

- Spare parts always in stock
- Responsive service and repair
- Available in larger capacities and reaches



THISTLE GROUP HQ
5 Baltic Place, Peterhead,
Aberdeenshire, Scotland,
AB42 1TF
Tel: +44 (0)1779 477 210
sales@thistlemarine.co.uk
www.thistlegroup.co.uk



Dimensional drawing available upon request

Thistlelift MFB20 Landing Crane, Continuous Rotation



THISTLE GROUP

“service, strength and quality”

Document Number: TM-DS-037—Rev 1