

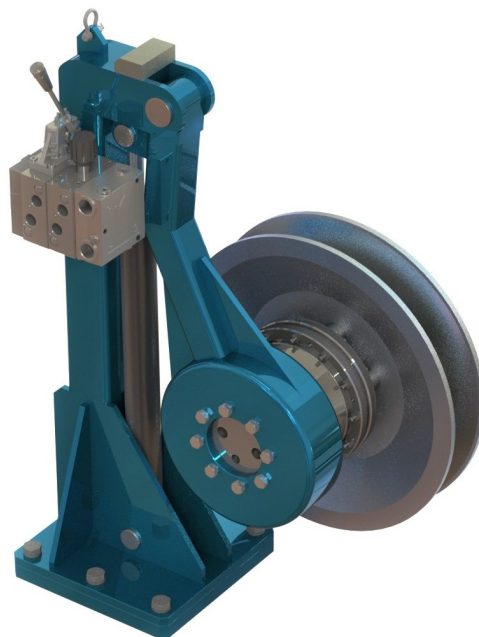
“service,
strength and
quality”

Retractable Multi-purpose Hose Hauler

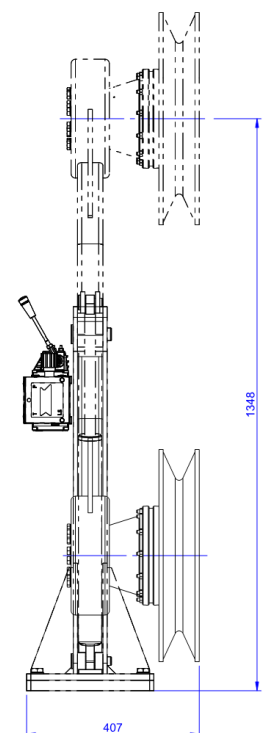
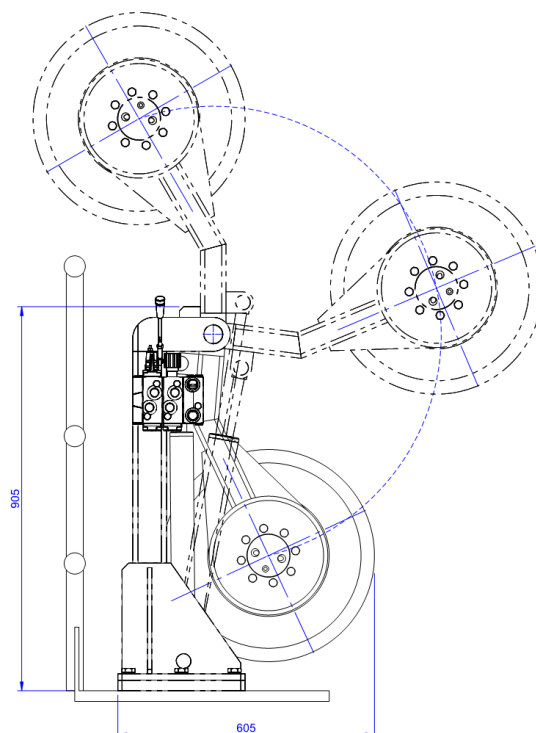
THISTLE GROUP



The retractable multi-purpose hose hauler is a robust, harsh environment hose and rope hauler suitable for a variety of marine uses. Ideal for the over-boarding and retrieval of hose bundles, the hauler features a pivoting arm to allow the hauler to be folded down when not in use. It is also available with a split base to allow it to be easily removed from the deck when not in use or to move it between vessels. The hauler sheave diameter, profile and bracket height can be sized to suit your hose handling and vessel requirements. Comes complete with control lever and speed adjustment.



Technical Data (Based on 500mm sheave)	
Maximum Line Pull	950 kg
Maximum Line Speed:	6.5 m/s
Recommended Working Speed:	1—2 m/s
Maximum Working Pressure:	300 bar
Maximum Oil Flow:	100 LPM
Weight (including bracket):	160 kg



THISTLE GROUP HQ
5 Baltic Place, Peterhead,
Aberdeenshire, Scotland,
AB42 1TF
Tel: +44 (0)1779 477 210
sales@thistlemarine.co.uk
www.thistlegroup.co.uk